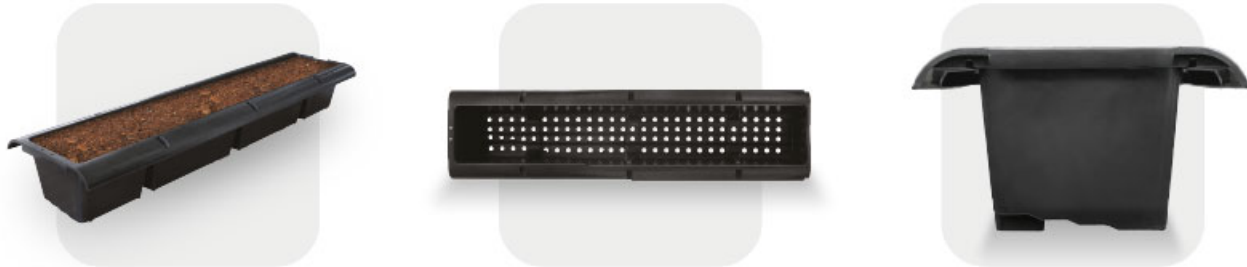


Specialized troughs for Hi-Grow® System

9L Trough with truss support



18L Trough with truss support



Slab base



Dimensions



		A	B	C
1305409	9L Trough For Strawberries, With Truss Support	156 mm	257 mm	511 mm
1305909	18L Trough For Strawberries, With Truss Support	142 mm	165 mm	1014 mm
1302809	Slab base	-	185 mm	-
30050008	Metal gutter	32 mm	-	-



▶ Scan
To watch video



Contact us
sales@getplantlogic.com

plantlogic



USA
+1 (213) 222 6433



Australia
+86 159 0674 1627



-  INCREASE YIELD
-  IMPROVE CONTROL
-  SAVE MONEY

plantlogic
innovative products
for smart growers

Hi-Grow®
Strawberry growing system

Lower cost
while increasing
your yield.

Strawberry production growing systems

Effective for strawberry production

Our Hi-Grow strawberry growing system was developed from the ground up based on the fundamentals of substrate production – standardize, control, improve oxygenation and drainage, separate roots from drainage, all while reducing capital costs. We broke the tradition of using expensive metal gutters when we developed our breakthrough product. We not only reduce costs but increase quality.

Designed to lower cost while increasing yield.

Our latest system includes several versions from our lowest priced to our premium product built with snap together metal tubes. Available in hanging and tabletop versions, our Hi-Grow system can support

troughs or slabs, is available with or without drainage collection, and can support inline drippers as well as drip stakes.

Using our totally new design of separating the container support structure from the drainage, Plantlogic's Hi-grow system is more cost-effective than traditional metal gutter systems, using about 27% less steel.

Easy installation and labor savings

Hi-Grow system installation is quicker and easier compared to traditional metal gutters, requiring a smaller installation team to efficiently install.

This new design does not require land leveling or precision post grading to ensure drainage flows, which simplifies installation and reduces initial costs.



Tabletop system - Trough version



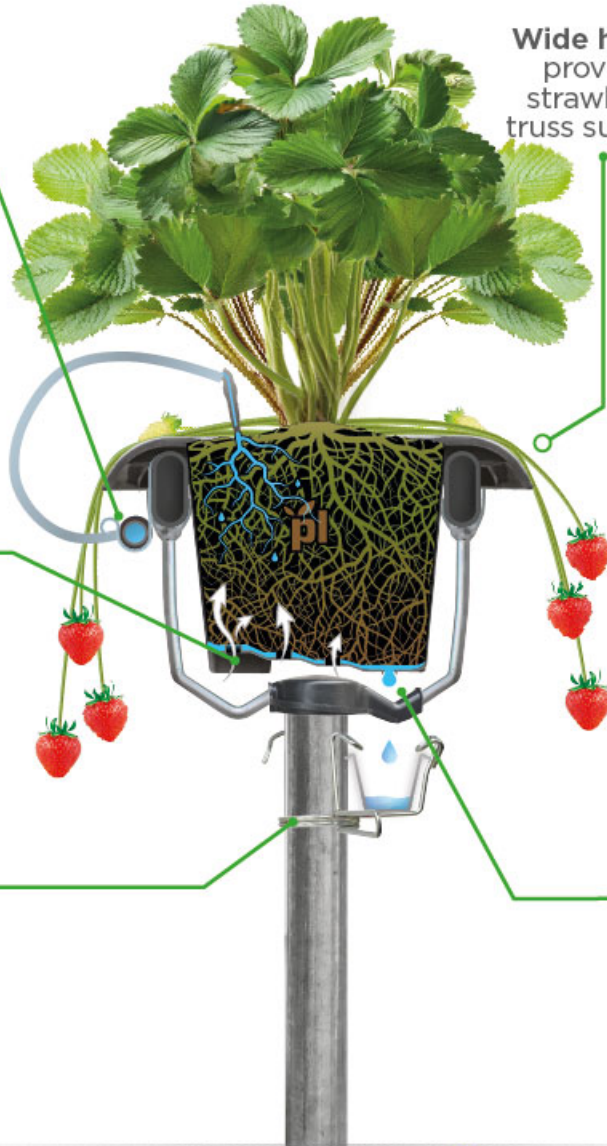
Wire clips
Specially designed for inline or lateral irrigation.



Maximize airflow and oxygenation



Adjustable slope for drainage using the gutter bracket.



Wide handle provides strawberry truss support.



Cost less than other tabletop substrate systems.



Optional drainage collection
Helps control humidity in greenhouses and tunnels.



Excellent drainage

Tabletop system set-up
Trough version

18L Trough

Rail

Post cover

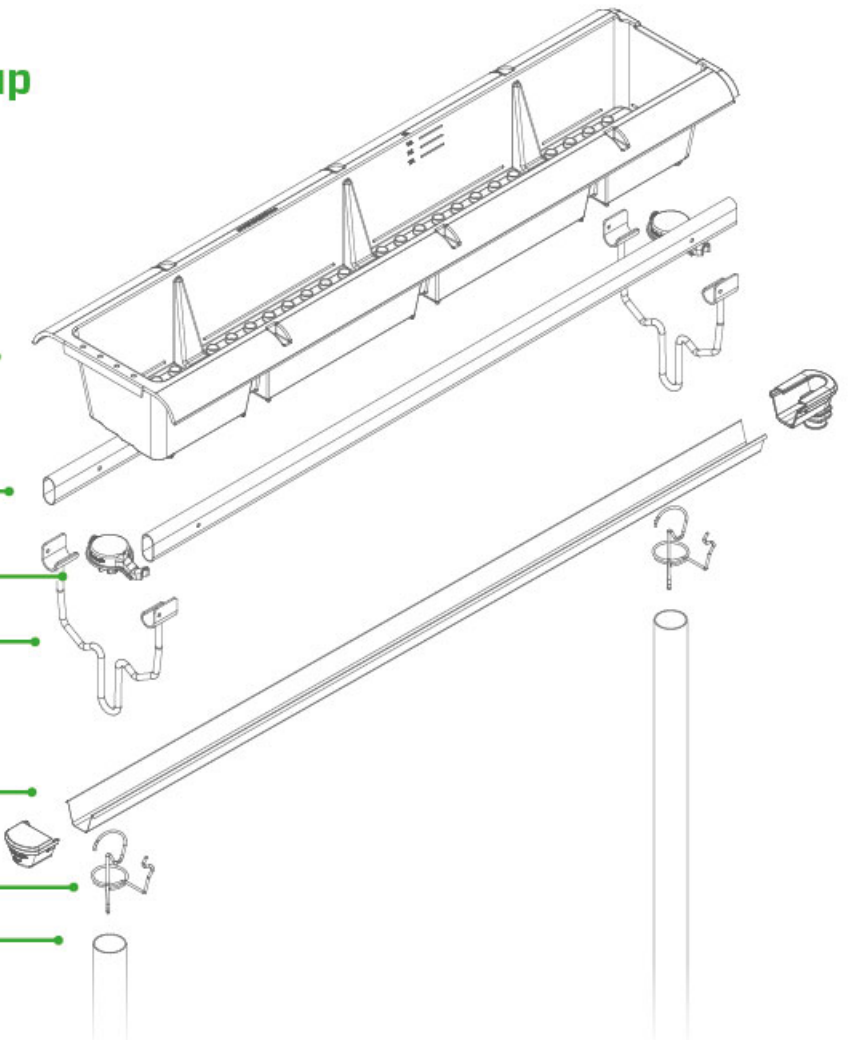
Y Bracket

Gutter

Gutter end cap

Gutter bracket

Post



Adjustable gutter slope

3 m distance between posts

Tops of posts don't require precision grading because the gutter slope is independently adjustable.

More economical than traditional systems (27% less metal).

Optional drainage collection.

The drainage system is separate from the planting system, making installation easier and reducing disease risk.



Tabletop system - Slab version



Maximize airflow and oxygenation



Lower upfront capital expense.



Hose clips specially designed for lateral irrigation



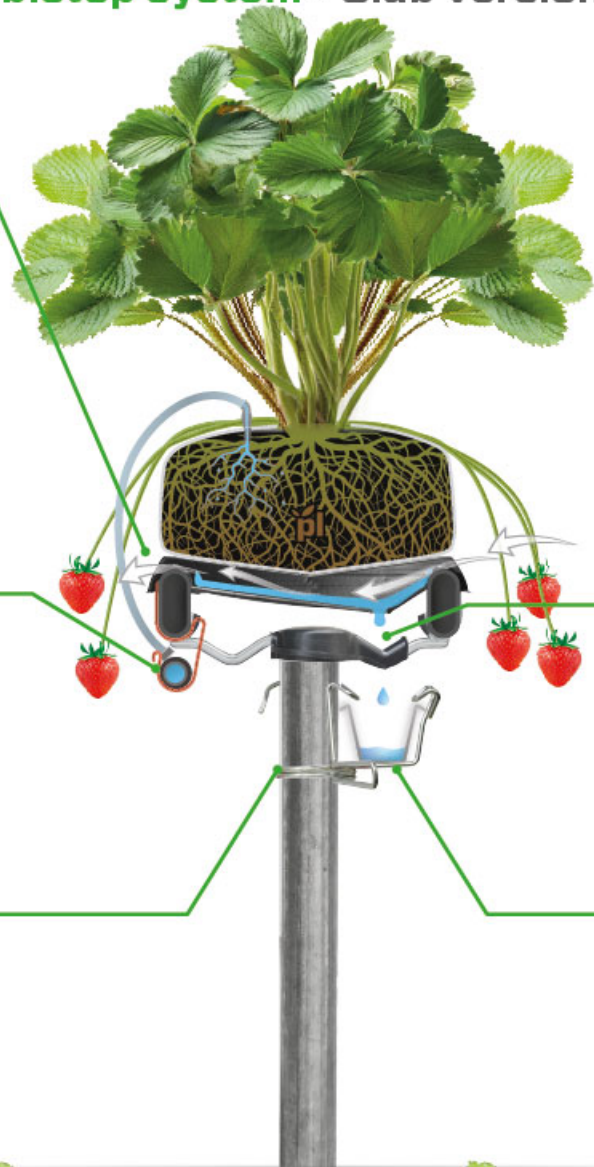
Excellent drainage



Adjustable slope for drainage using the gutter bracket.



Optional drainage collection
Helps control humidity in greenhouses and tunnels.



Adjustable gutter slope

3 m distance between posts

Tops of posts don't require precision grading because the gutter slope is independently adjustable.

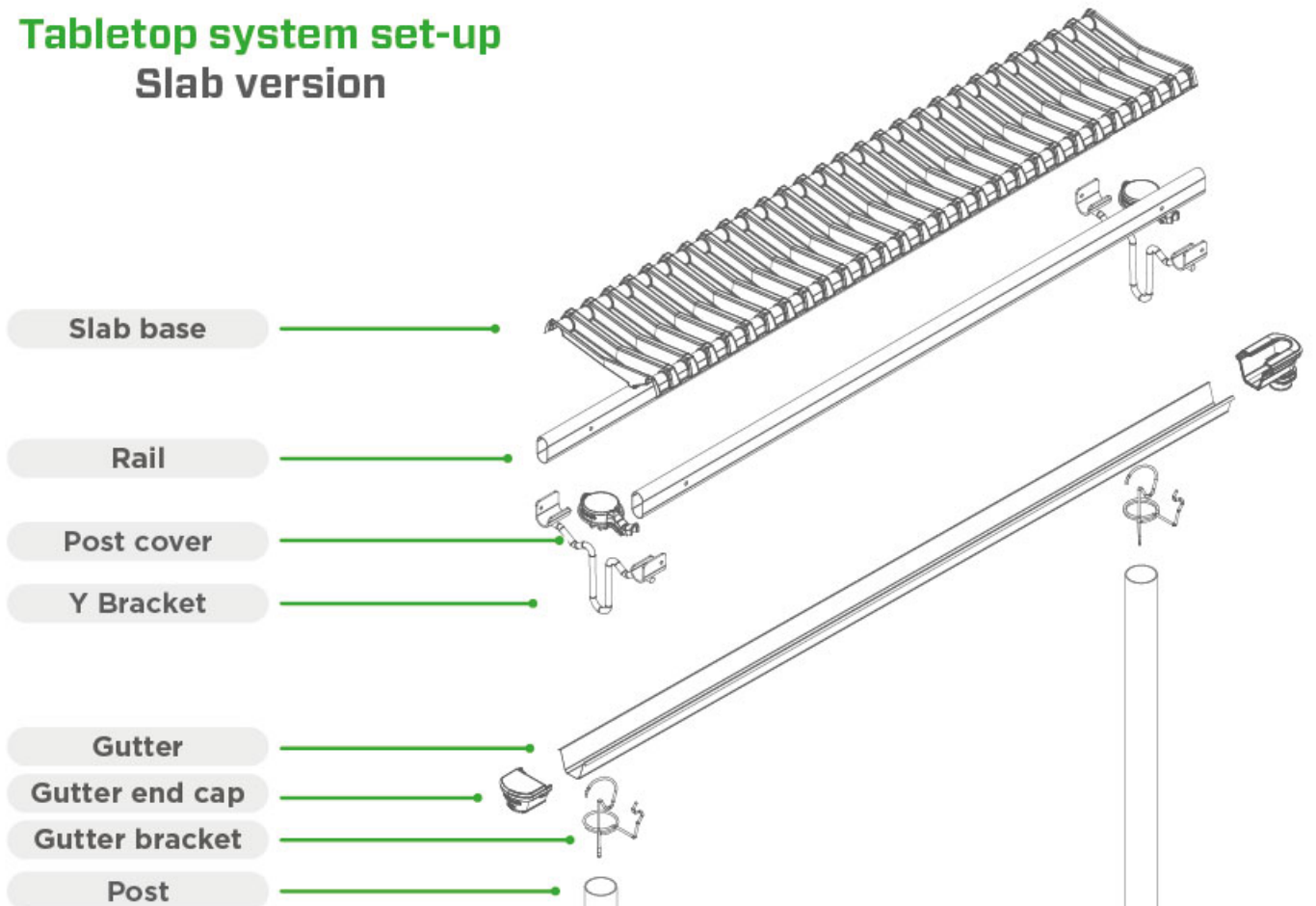
More economical than traditional systems (27% less metal).

Optional drainage collection.

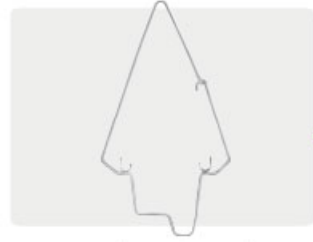
The drainage system is separate from the planting system, making installation easier and reducing disease risk.



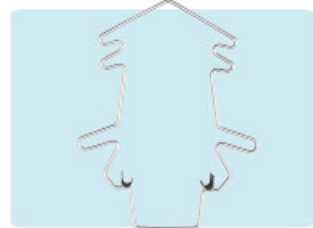
**Tabletop system set-up
Slab version**



Hanging system - Trough version



Hanging bracket
100% customizable to each grower's needs.



Optional bracket
available for truss support tape and leaf-fruit separation.



Maximize airflow and oxygenation



Chain or steel wire
available.



Pot system can be switched to slabs.



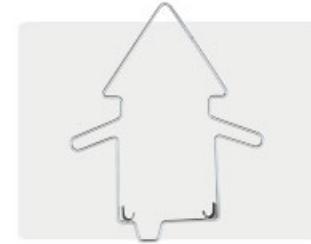
Excellent drainage

More economical than traditional systems.

Optional drainage collection.

The drainage system is separate from the planting system, making installation easier and reducing disease risk.

Hanging system - Slab version



Hanging bracket
100% customizable to each grower's needs.



Optional bracket
available for truss support tape and leaf-fruit separation.



Maximize airflow and oxygenation



Chain or steel wire
available.



Lower upfront capital expense.



Excellent drainage

More economical than traditional systems.

Optional drainage collection.

The drainage system is separate from the planting system, making installation easier and reducing disease risk.



Add value to your system

Plastic gutter bracket



Metal gutter bracket



Holds the gutter in its place and controls the drainage slope for the system.

Plastic anti-sinking plate



Metal anti-sinking plate



Prevents sinking of the post in soft or humid soil.

32 mm post cap



42 mm post cap



Keeps drainage from damaging the post.

PE trough cover



Helps maintain substrate humidity and reduces the use of drip stakes.

Metal gutter



Narrow gutter keeps ground free of water by collecting all drainage.

Hi-Grow lysimeter



Exclusive tool for accurate drainage for leachate monitoring.