

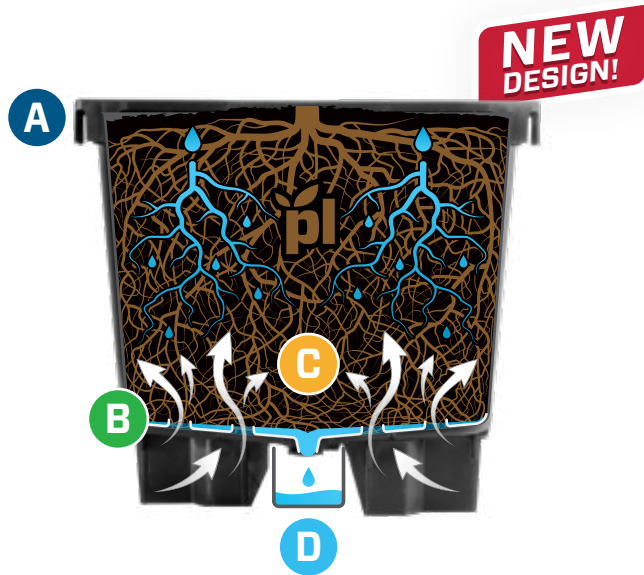
5
Liter

Drainage collection pot

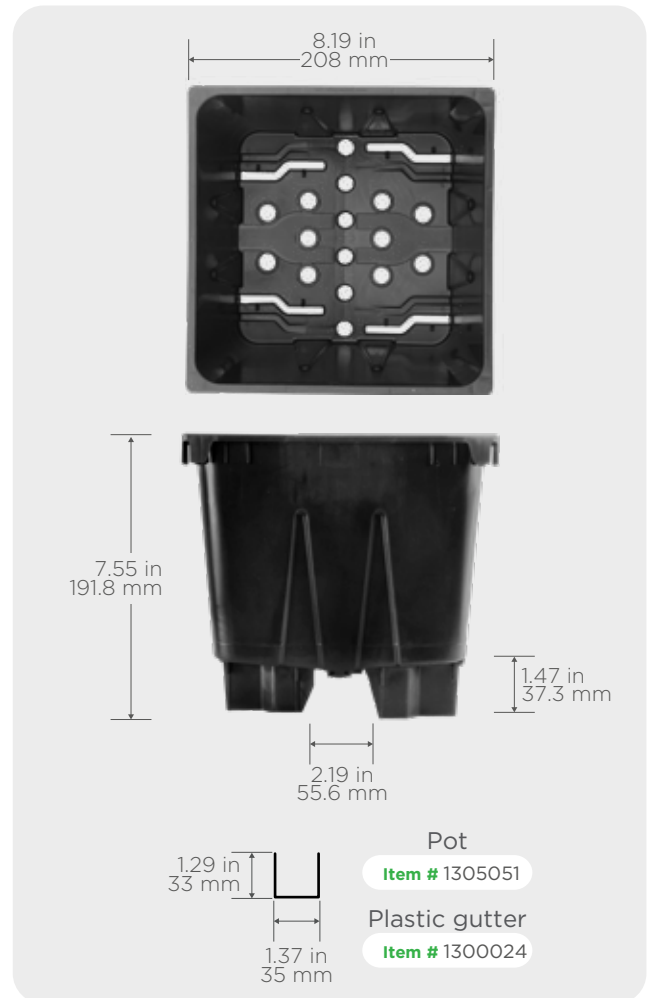
Economic, no drain-to-waste solution.

plantlogic

innovative products
for smart growers



Dimensions

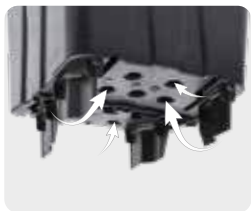


The **Plantlogic**® DC pots direct water flow into a narrow gutter which channels drainage out of the growing area, reducing humidity and encouraging oxygen uptake.



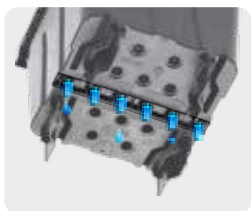
A Hooks for stabilization

Handles easily hooks to trellis wire.



B Air flow

Non-draining central holes allow oxygen uptake in center of root mass, and prevents roots from growing down.



C Excellent drainage

Our unique base design forces water to drain from the center holes, minimizing the wet zone.



D 100% drainage collection

Keeps ground free of water and fertilizer by collecting all drainage into an economical gutter. Avoids debris and algae buildup in gutter.

Available colors:



sales@getplantlogic.com

GETPLANTLOGIC.COM

