

## 25 Liter Drainage Collection Pot

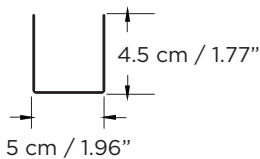
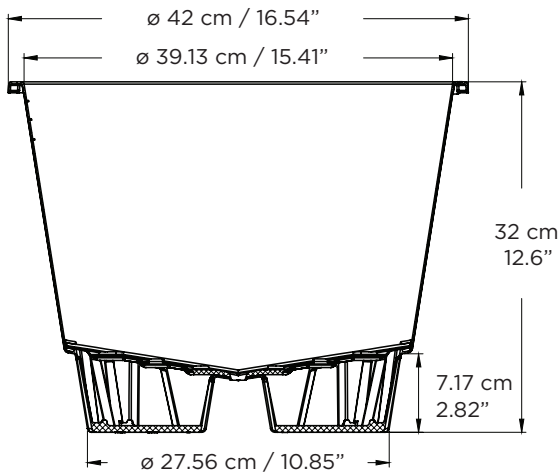
Ideal for substrate production

### Long Legs (7.17 / 2.82")

- Prevents root contact with soil.
- Prevents contact with pathogens.
- Improves drainage and root zone health.

### 100% Drainage Collection

- Control humidity within tunnels.
- Excellent oxygen uptake.
- Cost effective system design.
- Avoid environmental impact of drainage.



Plastic gutter Item #1300010



6.6 Gallons  
Item #1304125

### Excellent Drainage & Root Ventilation

- 7 center holes drain into inexpensive gutter.
- 38 side holes allow oxygen uptake to prevent anaerobic conditions.
- Wide legs are stable even on soft ground.

### Unique Stacking Design

Allows for compact stacking  
minimizing shipping cost.

- 8,568\* pots per 20' container.
- 17,748\* pots per 40' container.
- 20,160\* pots per 40' HQ.

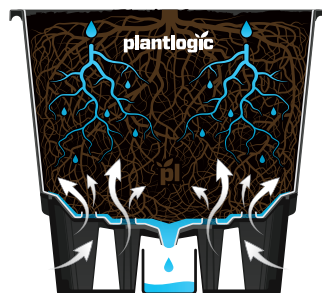
\*Approximate pot quantity per container.

#### Top down



#### Pot side

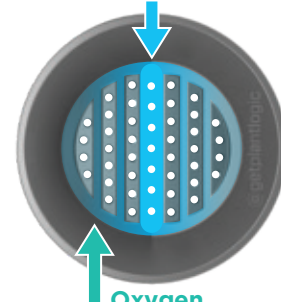
Holes on angled bottom  
provide oxygen to roots



Center holes collect all drainage

#### Pot bottom

Drainage  
Through center holes



Oxygen  
Through outer holes