

10 Liter Drainage Collection Pot

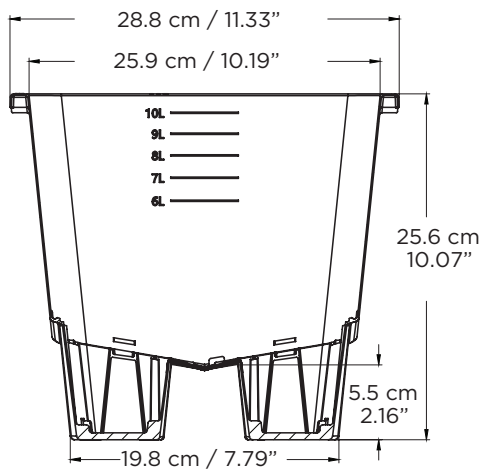
Ideal for substrate production

Long Legs (5.5-8.5 cm/2.2-3.3")

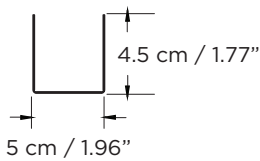
- Prevents root contact with soil.
- Prevents contact with pathogens.
- Improves drainage and root zone health.

100% Drainage Collection

- Prevents root contact with soil.
- Prevents contact with pathogens.
- Improves drainage and root zone health.



2.6 Gallons
Item #1307110



Plastic gutter Item #1300010

Excellent Drainage & Root Ventilation

- 5 center holes drain into inexpensive gutter.
- 18 side holes allow oxygen uptake to prevent anaerobic conditions.
- Wide legs are stable even on soft surfaces.

Unique Stacking Design

Allows for compact stacking minimizing shipping cost.

- 17,952* pots per 20' container.
- 36,960* pots per 40' container.
- 44,352* pots per 40' HQ.

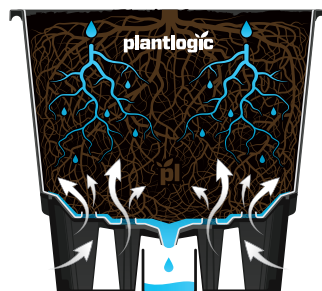
*Approximate pot quantity per container.

Top down



Pot side

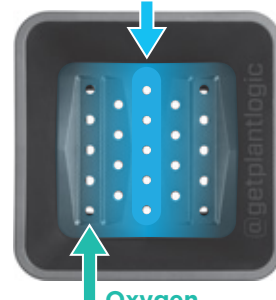
Holes on angled bottom provide oxygen to roots



Center holes collect all drainage

Pot bottom

Drainage Through center holes



Oxygen Through outer holes