

plantlogic

innovative products
for smart growers



15 Liter Square Pot

Ideal for substrate production

Plantlogic pots are designed to maximize drainage and oxygen uptake to support healthy roots and plant vigor.

Long Legs (5cm/1.96")

- Prevents root contact with soil.
- Prevents contact with pathogens.
- Improves drainage and root zone health.



Excellent Drainage & Root Ventilation

- Legs connected to 12 edge holes breaks drainage surface tension eliminating saturated zone.
- 24 holes in center of pot allows oxygen uptake in the center of root mass.
- Pyramid base forces water to drain at the outside edges and minimizes wet zone.
- Drainage into high air flow area for root self-pruning.

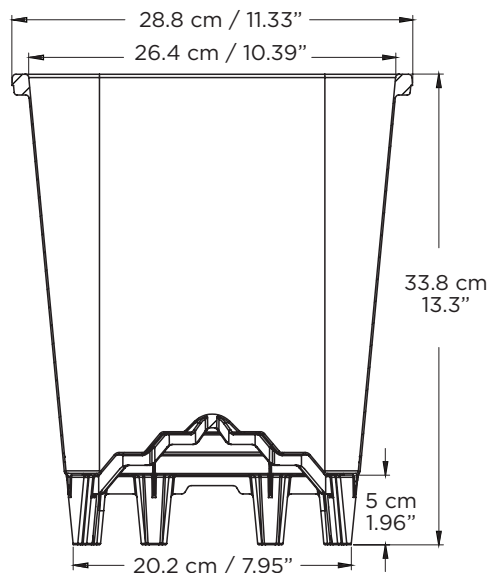
Item #1309015
3.96 Gallons

Unique Stacking Design

Allows for compact stacking minimizing shipping cost.

- 18,880* pots per 20' container.
- 38,704* pots per 40' container.
- 45,264* pots per 40' HQ.

*Approximate pot quantity per container.



Plantlogic Lysimeter
compatible fits our Small
Lysimeter for accurate
drainage collection and
monitoring.

