

3

## Liter Square Pot

Ideal for substrate production

Plantlogic pots are designed to maximize drainage and oxygen uptake to support healthy roots and plant vigor.

### Long Legs (2cm/0.79")

- Prevents root contact with soil.
- Prevents contact with pathogens.
- Improves drainage and root zone health.



### Excellent Drainage & Root Ventilation

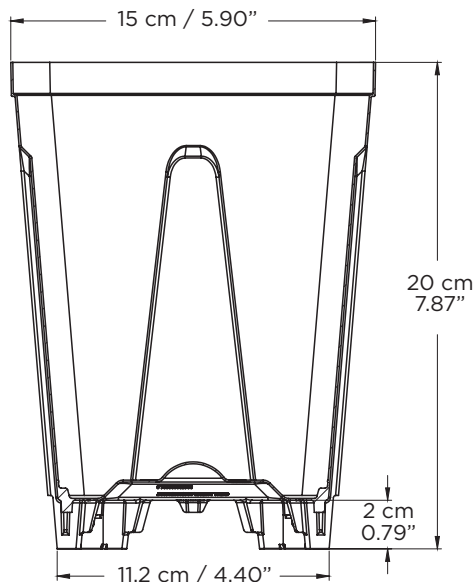
- Legs connected to 4 edge holes breaks drainage surface tension eliminating saturated zone.
- 16 holes in center of pot allows oxygen center of root mass.
- Pyramid base forces water to drain at the edges and minimizes wet zone.
- Drainage into high air flow area for root self-pruning.

Item #1306003  
0.79 Gallons

### Unique Stacking Design

Allows for compact stacking minimizing shipping cost.

- 76,380\* pots per 20' container.
  - 158,790\* pots per 40' container.
  - 184,860\* pots per 40' HQ.
- \*Approximate pot quantity per container.



Plantlogic Lysimeter  
compatible fits our Small  
Lysimeter for accurate  
drainage collection and  
monitoring.

